

# WALLBOX eMH2 reev ready

## CONTROLLER WITH CHARGING CABLE

### 22 kW

The wallbox eMH2 reev ready features a fixed charging cable with type 2 charging connector. The Controller version is designed for controlling additional Extender wallboxes in a group solution and is therefore perfectly suited for use in private and semi-public applications. The controller version is already pre-configured for simple activation of the reev software. After commissioning, the reev ready wallbox has connectivity for 2 years. Activating the reev backend within this period additionally allows use of the remote service free of charge. With the reev ready Compact or Pro licence keys, the reev Dashboard can be activated quickly and easily for the pre-configured ABL wallbox up to 2 years after commissioning. The reev ready licence keys offer future-proof operation, regular software updates as well as a wide range of functionalities and the reev customer support. With a Type A residual current circuit breaker (RCCB) and DC fault current detection integrated as standard, the eMH2 wallbox with reev backend is pre-installed and ready for connection by the installing technician. The wallbox eMH2 reev ready is 'Made in Germany' and offers the highest safety standards available.



## General information

Model	eMH2
Product number	2W2241B
EAN number	4011721180465
Commodity code	85371091
Packaging unit (PU)	1 unit
Packaging (dimensions HxWxD)	740 x 380 x 217 mm
Items supplied	Wallbox, printed operating manual, installation kit, drilling template, 1 key, reev onboarding guide, 1 reev RFID test key, 1 reev QR code, 1 SIM card, reev operator set, 2 reev RFID charging keys, reev sticker

## Input / mains supply

External power supply	Max. 5 × 16 mm <sup>2</sup>
Rated voltage	230 / 400 V (3-phase)
Rated current	32 A
Rated frequency	50 Hz
Upstream fuse	Max. 32 A (required onsite), C characteristic recommended
Terminal blocks	Direct connection to RCD PE to terminal block

## Output / vehicle connection

Connection system	Single charging cable with type 2 connector in acc. with IEC 62196-2, ca. 6.35 m
Output voltage	230 / 400 V
Max. charging current	32 A
Maximum output	22 kW

## Protection / integrated components

RCCB	Type A RCD, 30 mA
DC fault current detection	Electronic, $I_{\Delta n \text{ d.c.}} \geq 6 \text{ mA}$
Energy meter	MID conform (visible through lateral window)
Load switching	Contactors, 4-pole
Weld detection	Contactors welding trips RCD
Overcurrent protection	Integrated into firmware, disconnection at 120% after 10 seconds
Temperature monitoring	Internal, charging current reduction or shut down

## Charge monitoring / status indicators

Display (operating state / error codes)	LED
Access control	RFID, QR code or smartphone app
Communication	In acc. with IEC 61851-1 Mode 3
Communication Controller / Extender	RS485
Backend communication	LAN, LTE, optional Wifi, OCPP 1.5 + 1.6

## Operating conditions

Storage temperature	-30 to 85°C
Operating temperature	-25 to 40°C
Relative humidity	5 to 95%, no condensation
Class of protection	I
Overvoltage category	III
Degree of pollution	3
Degree of protection (housing)	IP54
Impact strength	IK08
Maximum elevation	≤ 2,000 m AMSL
Power dissipation	n/a

## Standards / directives

IEC 61851-1
IEC 61439-7
IEC 62196-1
IEC 62196-2

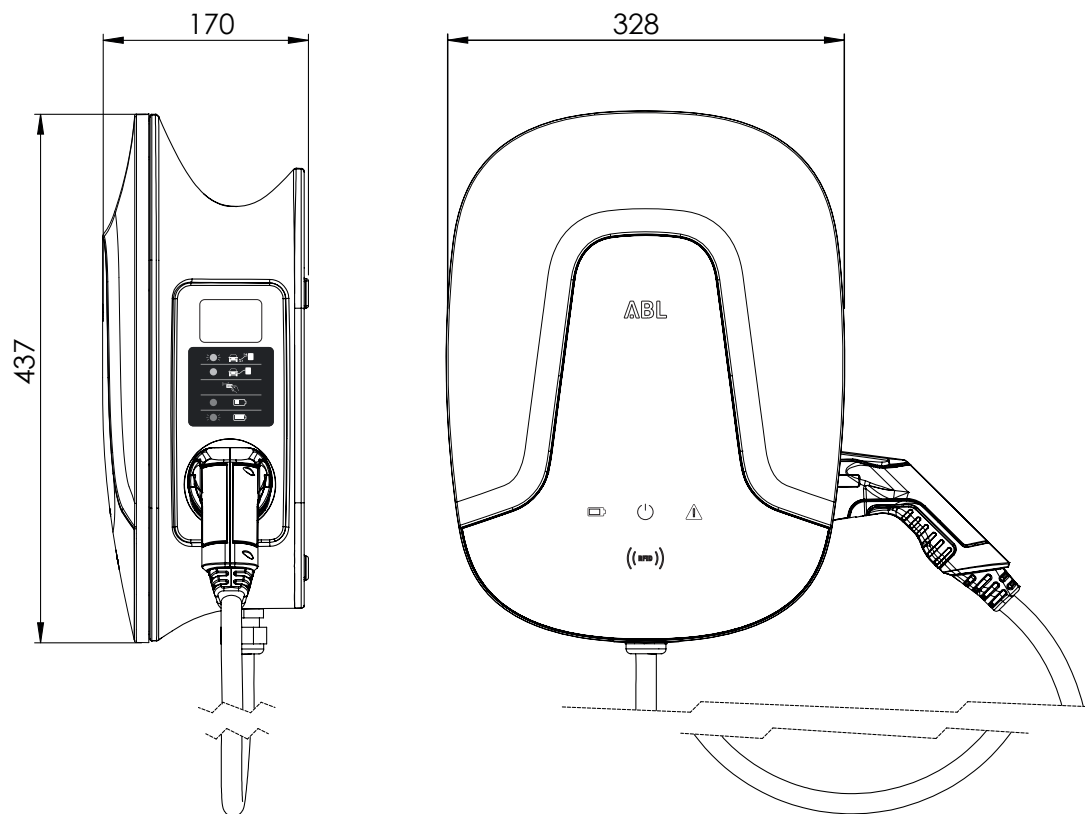
## Housing

Type	Wall-mounted housing (can be used for cable storage)
Fixing type	Wall bracket (mounting kit provided)
Material (housing / cover)	Plastic
Housing colour	Black, RAL 9011
Cover colour	Black, translucent
Locking mechanism	Lockable cover with safety screw
Dimensions (HxWxD)	437 × 328 × 170 mm
Weight (net)	Approx. 10 kg
Weight (gross)	Approx. 12 kg

## Optional accessories

reev ready Compact licence key	100000188
reev ready Pro licence key	100000189
Pole	POLEMH2
Foundation	EMH9999
Weather protection roof	WPR12
Cable storage holder with charging plug adapter	CABHOLD
Configuration kit	CONFCAB
RFID card	E017869, 5 pcs
Multi-purpose installation tester	TE001
Vehicle simulation adapter	TE005
Dynamic load management up to 300 A	METERS
Dynamic load management up to 600 A	METERL

## Dimensioned drawing



Subject to change: All performance characteristics, technical and other specifications are subject to change without prior notice.

Revision status ABL\_reev\_2W2241B\_EN\_h, 11/22

ABL GmbH • Albert-Büttner-Straße 11 • D-91207 Lauf / Pegnitz • Tel. +49 (0) 9123 188-0 • info@abl.de • www.abl.de/en

reev GmbH • Sandstraße 3 • 80335 München • Tel. +49 (0) 89 215 389 70 • info@reev.com • www.reev.com